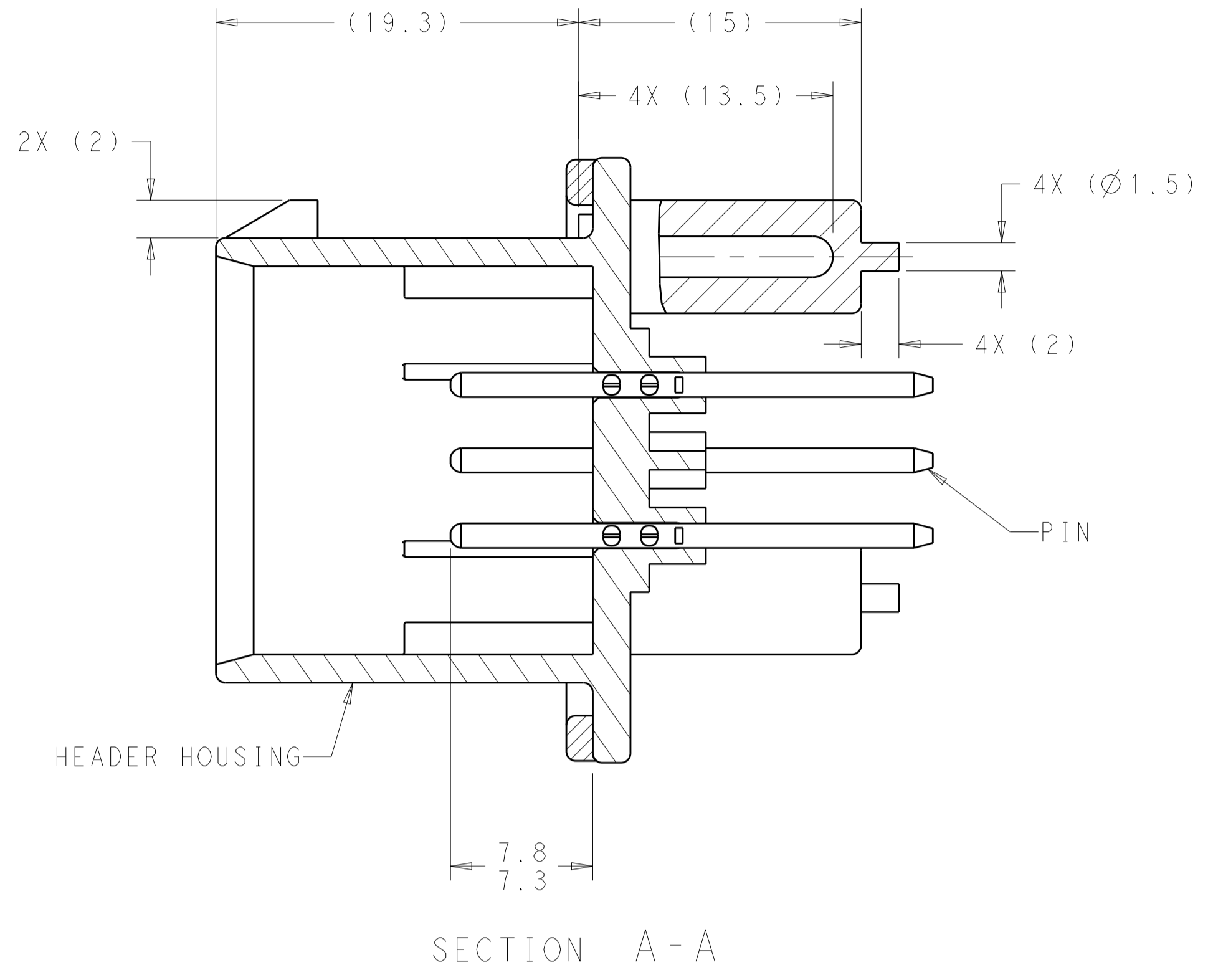
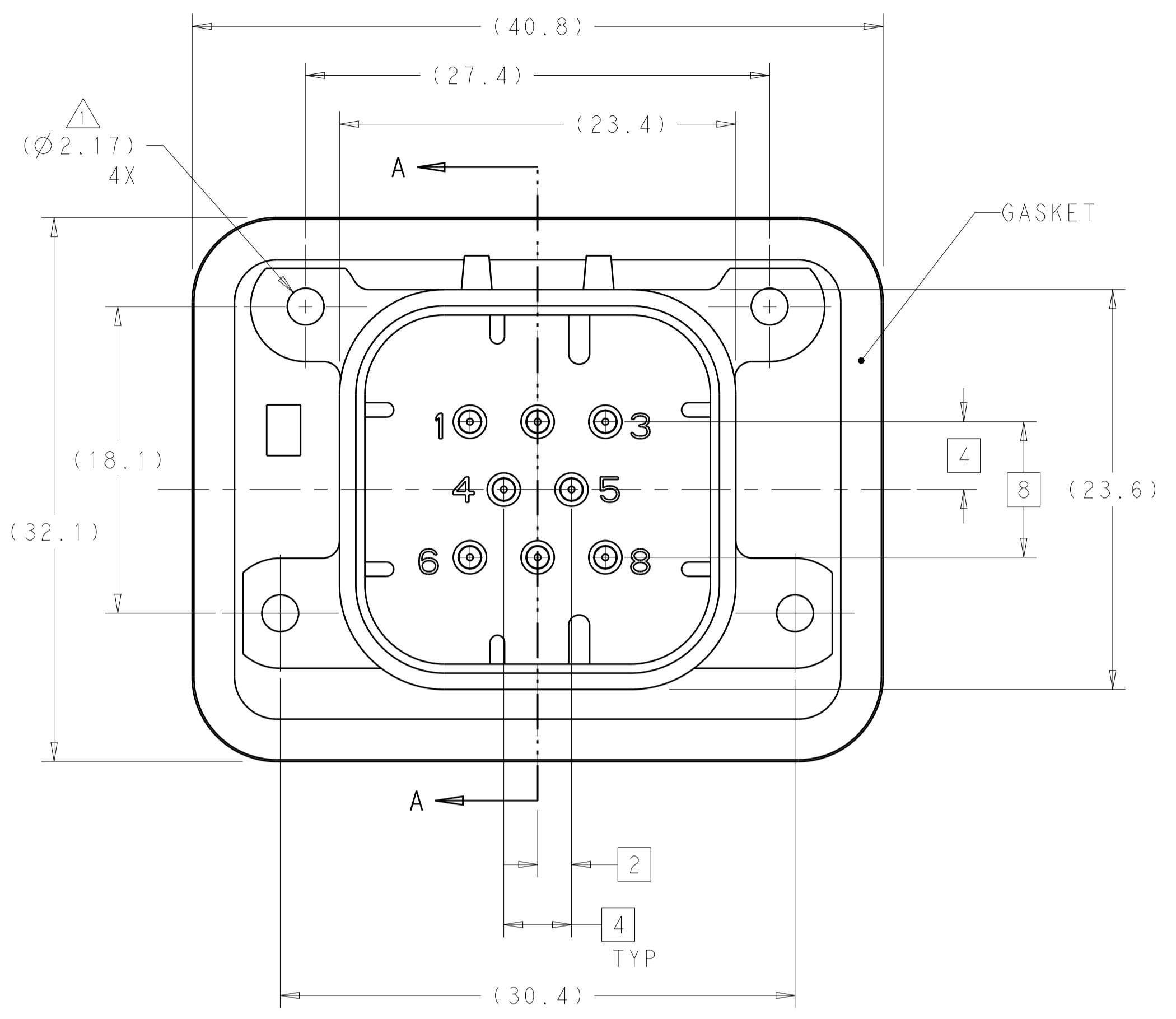
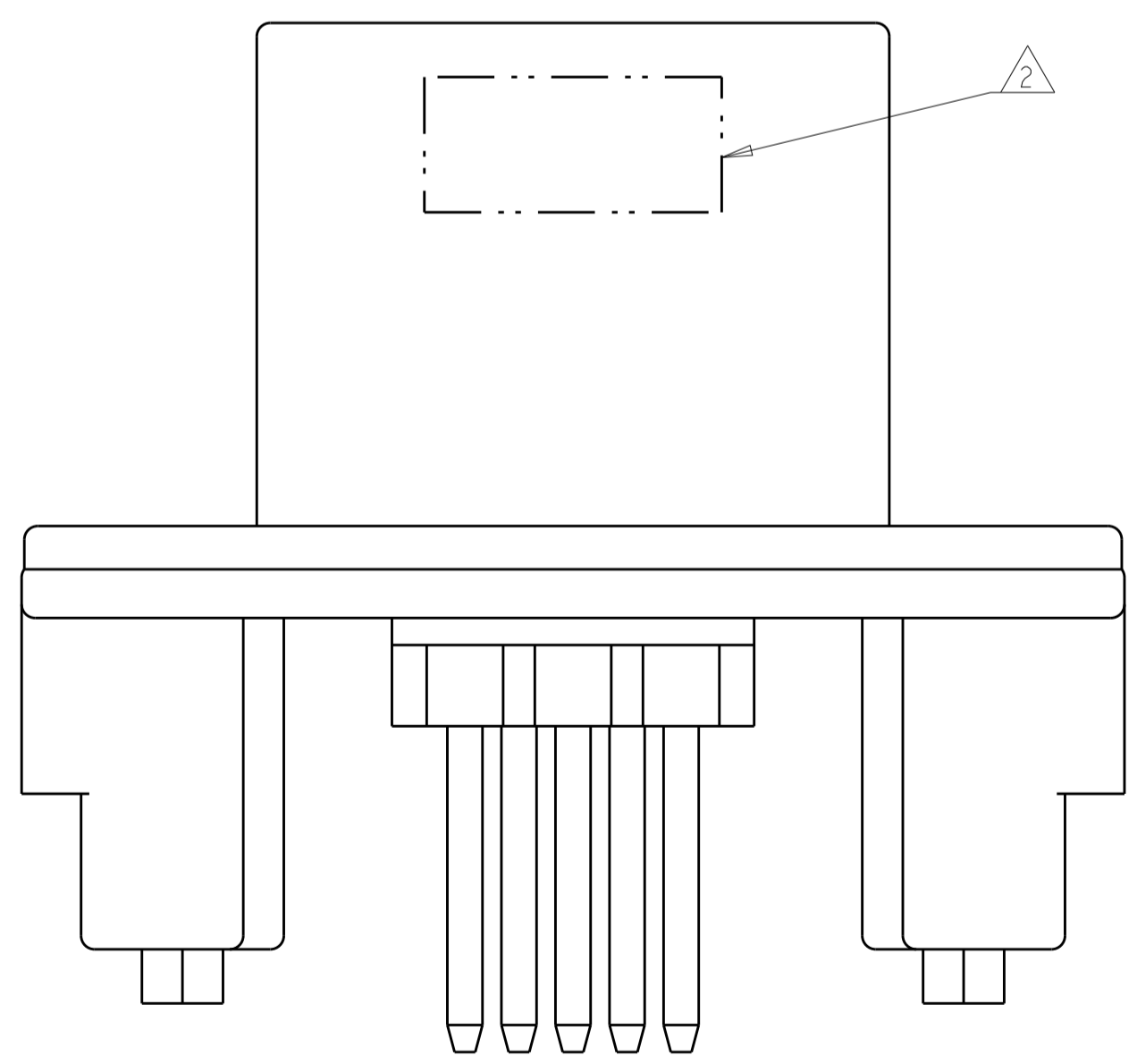


REVISIONS				
P.	LTN	DESCRIPTION	DATE	APP'D
B8		REVISED PER ECO-15-003872	25MAR2015	DD DS
B9		REVISED PER ECO-16-003526	09MAR2016	JM DS



- 1 ACCEPTS #3 SELF TAPPING THREAD FORMING SCREWS OR METRIC EQUIVALENT. DRIVE TO 0.6-0.8 N-m
- 2 DATE CODE TO BE BRANDED IN THIS LOCATION PER TE SPEC 102-60. FIRST 2 DIGITS = YEAR, SECOND 2 DIGITS = WEEK, LAST DIGIT = DAY.
- 3 MATERIALS: GASKET - SILICONE
 HEADER HOUSING - GLASS FILLED PBT
 PINS - TIN OR GOLD PLATED BRASS
- 4 HOUSING COLORS ARE MECHANICALLY KEYED TO MATE ONLY WITH IDENTICALLY COLORED PLUG ASSEMBLIES.
- 5. HEADER MATES TO PLUG ASSEMBLY 776286 WHICH USES REELED TERMINAL 770520 OR LOOSE PIECE TERMINAL 770854

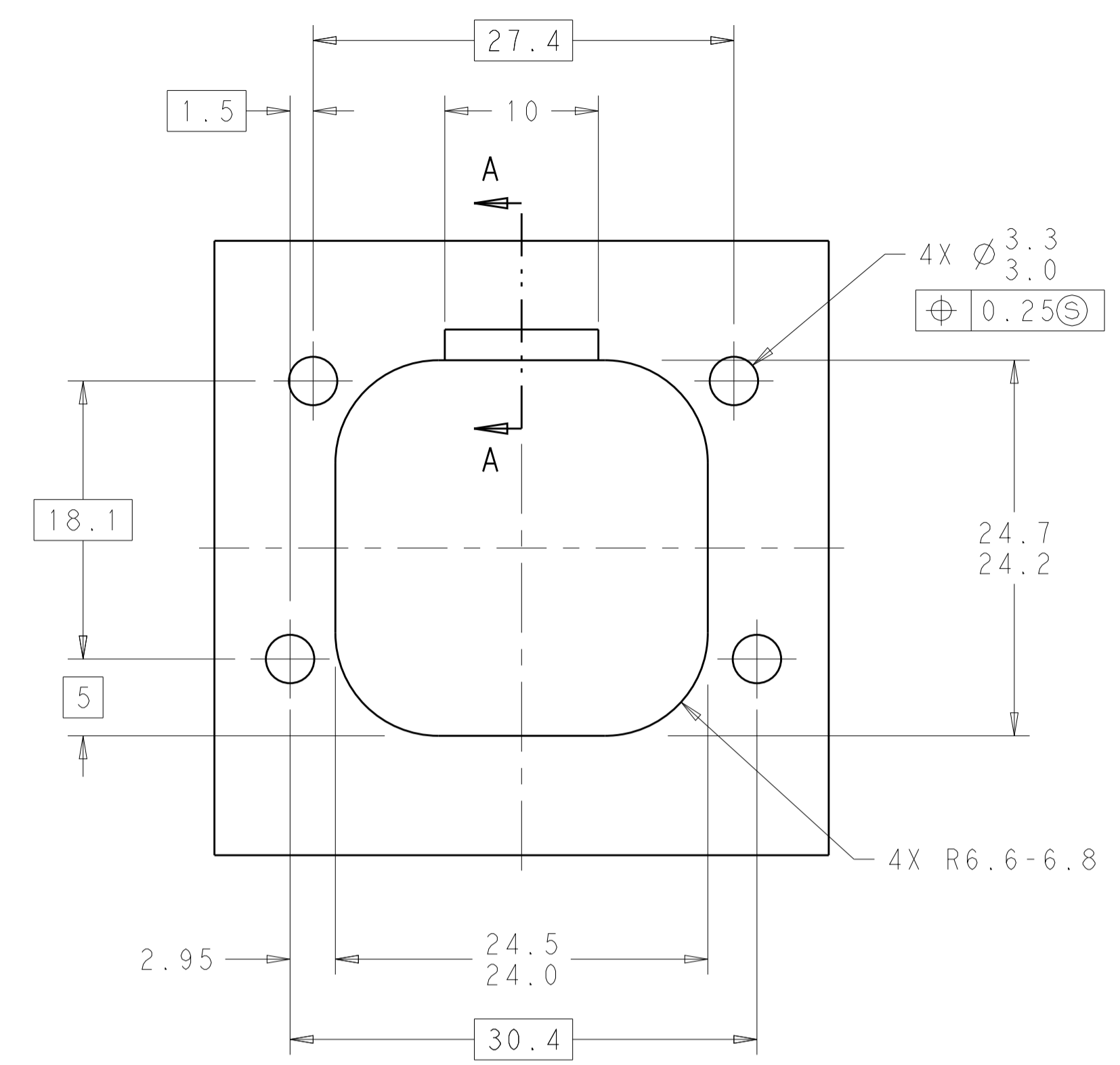


776276-1 & 1-776276-1 SHOWN

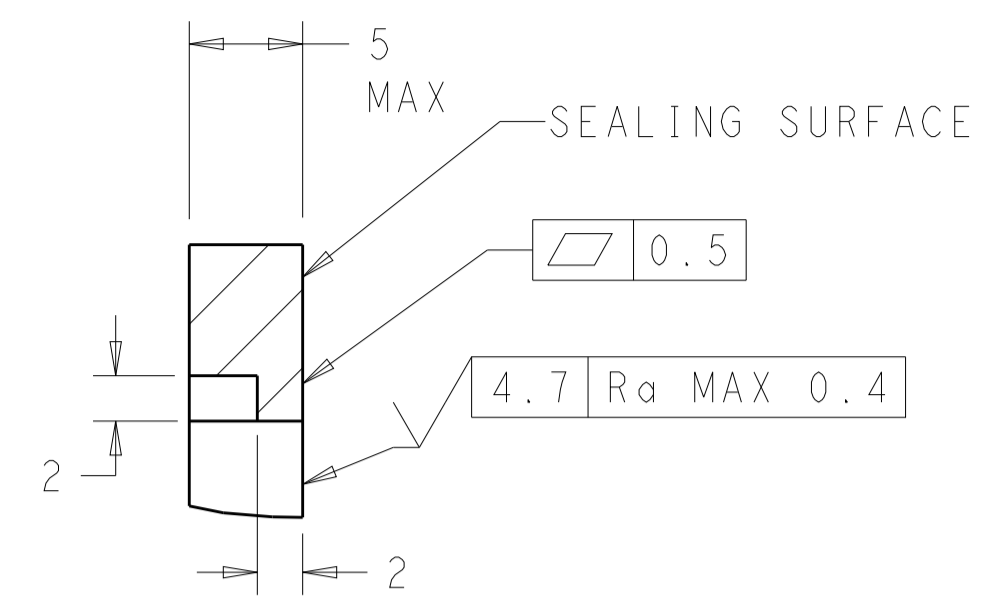
NATURAL	DURAGOLD	1-776276-2
BLACK	DURAGOLD	1-776276-1
NATURAL	TIN	776276-2
BLACK	TIN	776276-1
HEADER COLOR	PLATING	PART NUMBER

THIS DRAWING IS A CONTROLLED DOCUMENT.		DWN: D. STRAUSSER 21 JAN 2010 CHK: D. STRAUSSER 22 MAR 2010 APVD: D. STRAUSSER 27 APR 2010	STE TE Connectivity	
DIMENSIONS: mm	TOLERANCES UNLESS OTHERWISE SPECIFIED: 0 PLC ±. 1 PLC ±0.2 2 PLC ±0.13 3 PLC ±. 4 PLC ±. ANGLES ±1° FINISH	PRODUCT SPEC: 108-1329 APPLICATION SPEC: 114-16016 WEIGHT:	NAME: ASSEMBLY, HEADER 8 POSITION VERTICAL, AMPSEAL WITH FLANGE SEAL SIZE: A1 CAGE CODE: 00779 DRAWING NO: 776276	
MATERIAL: 3		FINISH: 3		CUSTOMER DRAWING SCALE: 4:1 SHEET: 1 OF 2 REV: B9

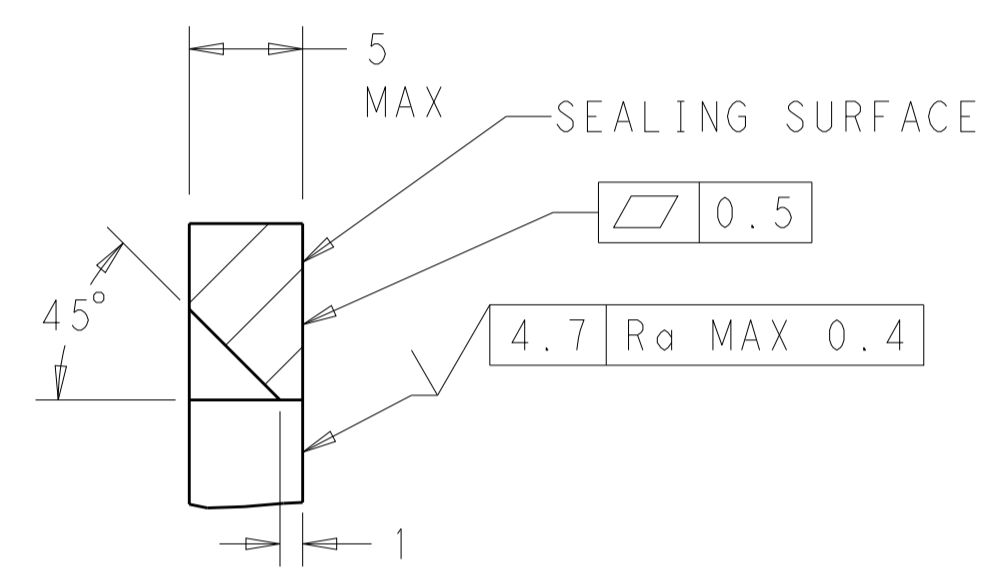
REVISIONS				
P.	LTN.	DESCRIPTION	DATE	APVD.
-	-	SEE SHEET 1	-	-



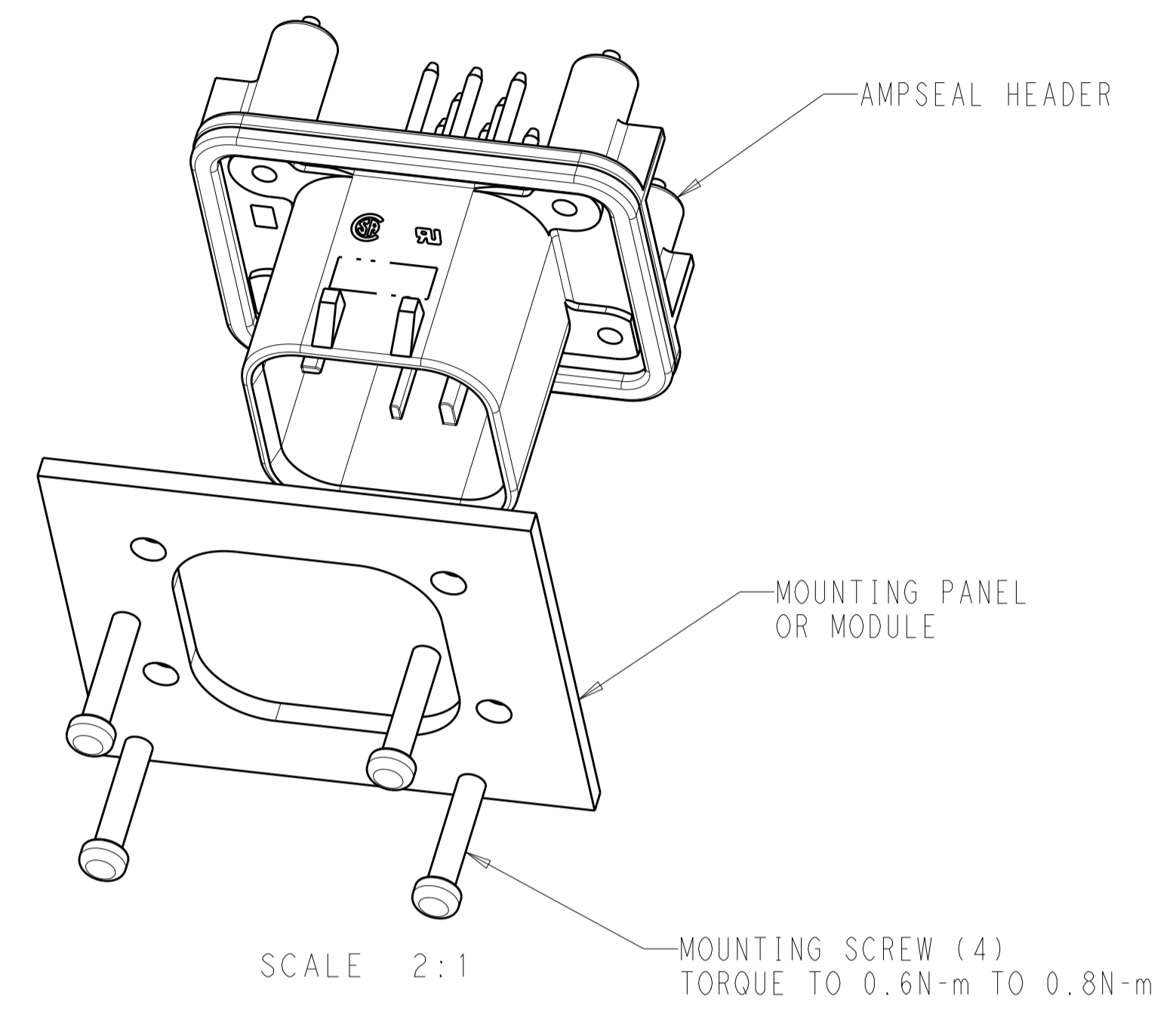
RECOMMENDED MOUNTING HOLE LAYOUT FOR 5.0 MAX THICK PANEL



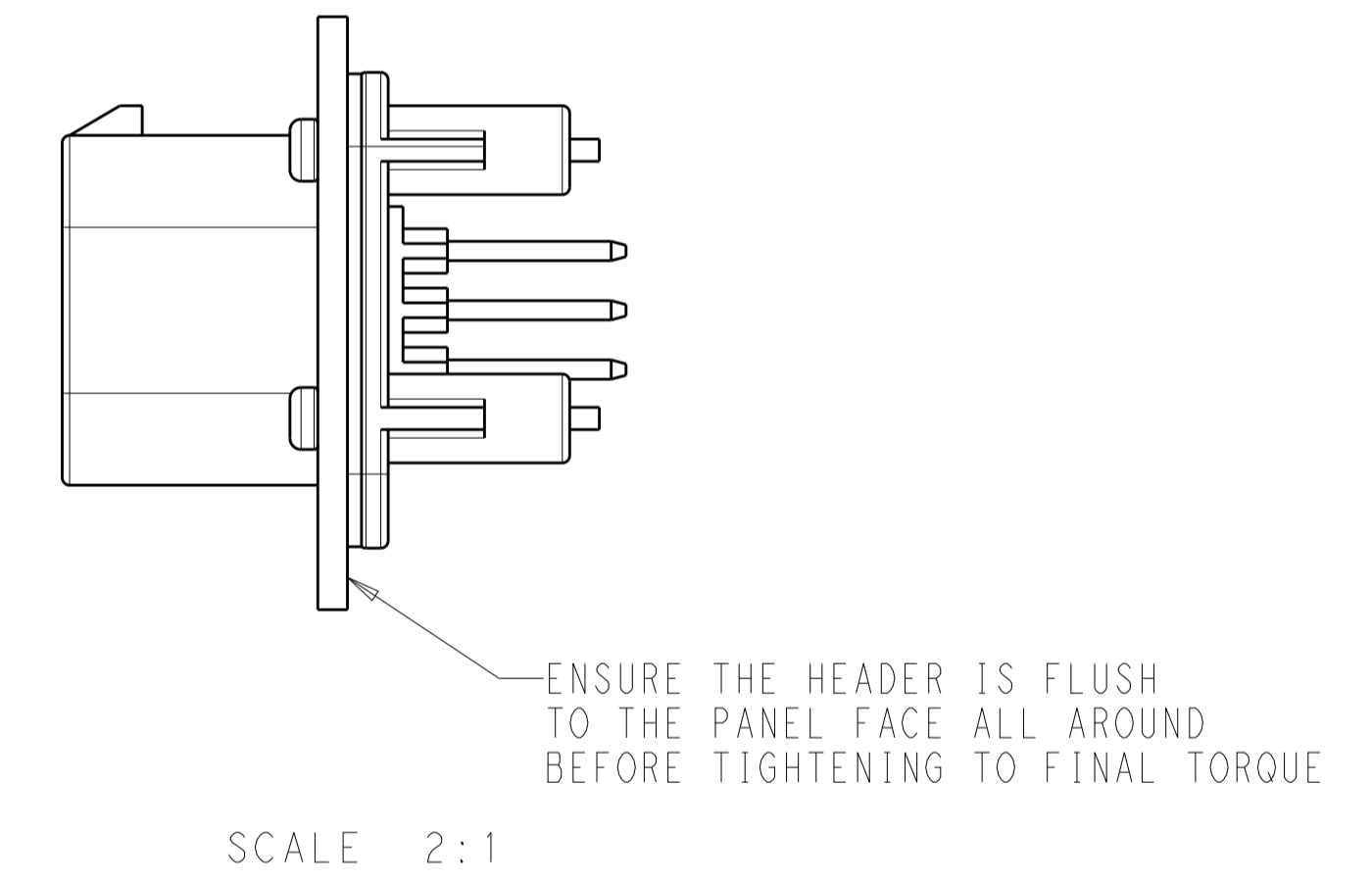
SECTION A-A
OPTIONAL CONSTRUCTION IF PANEL THICKNESS IS GREATER THAN 2.0



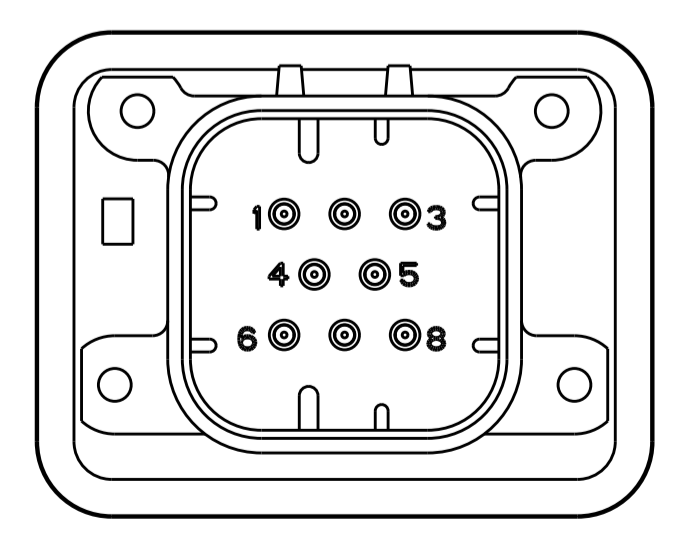
SECTION A-A
OPTIONAL CONSTRUCTION IF PANEL THICKNESS IS GREATER THAN 2.0



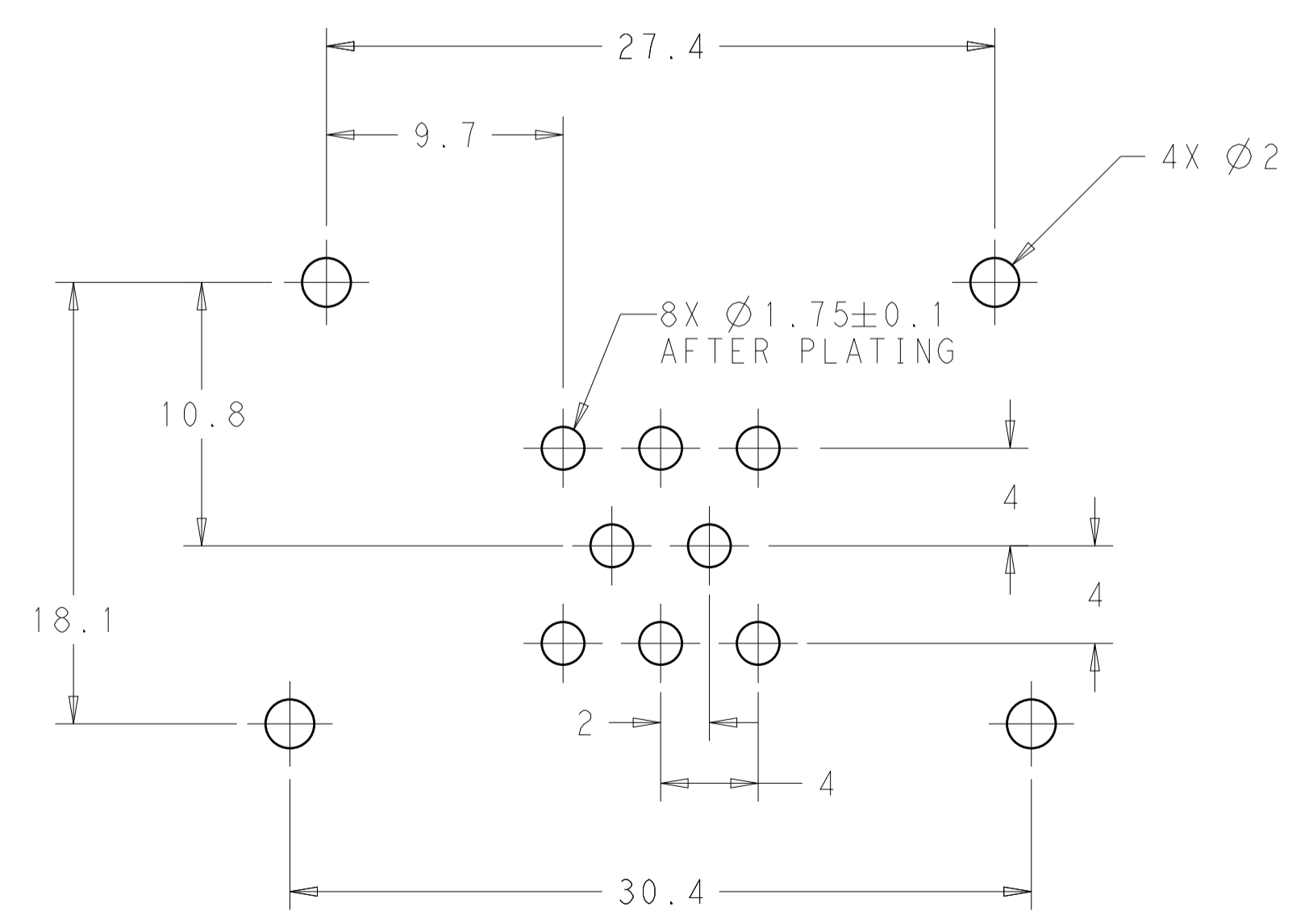
SCALE 2:1
TORQUE TO 0.6N-m TO 0.8N-m



SCALE 2:1
ENSURE THE HEADER IS FLUSH TO THE PANEL FACE ALL AROUND BEFORE TIGHTENING TO FINAL TORQUE



776276-2 & 1-776276-2
KEY LOCATION
SCALE 2:1



RECOMMENDED P.C. BOARD LAYOUT FOR 1.57 THICK P.C. BOARD

THIS DRAWING IS A CONTROLLED DOCUMENT.		DWN: D. STRAUSSER 21 JAN 2010 CHK: D. STRAUSSER 22 MAR 2010 APVD: D. STRAUSSER 27 APR 2010	TE Connectivity	
DIMENSIONS: mm		TOLERANCES UNLESS OTHERWISE SPECIFIED: 0 PLC ±0.2 1 PLC ±0.13 2 PLC ±0.13 3 PLC ±0.13 4 PLC ±0.13 ANGLES ±1°	NAME: ASSEMBLY, HEADER 8 POSITION VERTICAL, AMPSEAL WITH FLANGE SEAL	
MATERIAL: FINISH		PRODUCT SPEC: 108-1329 APPLICATION SPEC: 114-16016 WEIGHT: -	SIZE: A100779 CAGE CODE: C=776276	RESTRICTED TO: -
CUSTOMER DRAWING		SCALE: 4:1	SHEET: 2 OF 2	REV: B9